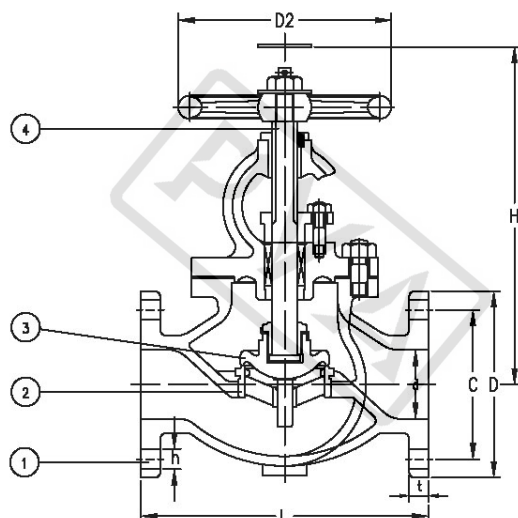


JISF7313 20K CAST STEEL GLOBE VALVE



Pressure Test MPa			
Nominal Pressure/PN	2.0MPa	Shell Test	5.0 MPa
		Seat Test	3.67 MPa

Main material for fittings			
Item	Fittings	Material	Mark
1	Body	Cast Steel	SC230~450
2	Bonnet	Cast Steel	SC230~450
3	Disc	Stainless Steel	SS420
4	Seat	Stainless Steel	SS304
5	Stem	Stainless Steel	SS400
6	Handwheel	Cast Iron	FC200

Main data for flange connection mm						
Model	Face To Face	Flange Diam.	Flange PCD	Flange Hole	Height	Weight
	L	D	C	n* \varnothing d	H	kgs
F7313 20K32	190	135	100	4 \times \varnothing 19	270	14.4
F7313 20K40	200	140	105	4 \times \varnothing 19	290	16.0
F7313 20K50	230	155	120	8 \times \varnothing 19	305	21.6
F7313 20K65	270	175	140	8 \times \varnothing 19	345	30.4
F7313 20K80	300	200	160	8 \times \varnothing 23	385	43.5
F7313 20K100	350	225	185	8 \times \varnothing 23	440	62.3
F7313 20K125	430	270	225	8 \times \varnothing 25	500	95.7
F7313 20K150	500	305	260	12 \times \varnothing 25	550	133.3
F7313 20K200	560	350	305	12 \times \varnothing 25	630	296.1
F7313 20K250	600	430	380	12 \times \varnothing 27	725	339.1

Design	Check	Signature	Logo	Supplier
asbsey	Chrit	Figor		PROMET VALVES AUSTRALIA
JAN.01,2013	JAN.01,2013	JAN.01,2013		

PROMET VALVES AUSTRALIA

1A Green Road Woodville West SA 5011 Australia / Tel:+61 8 8268 1777 / Fax:+61 8 8268 1711
 promet@prometvalves.com / www.prometvalves.com / ABN47 096 425 697